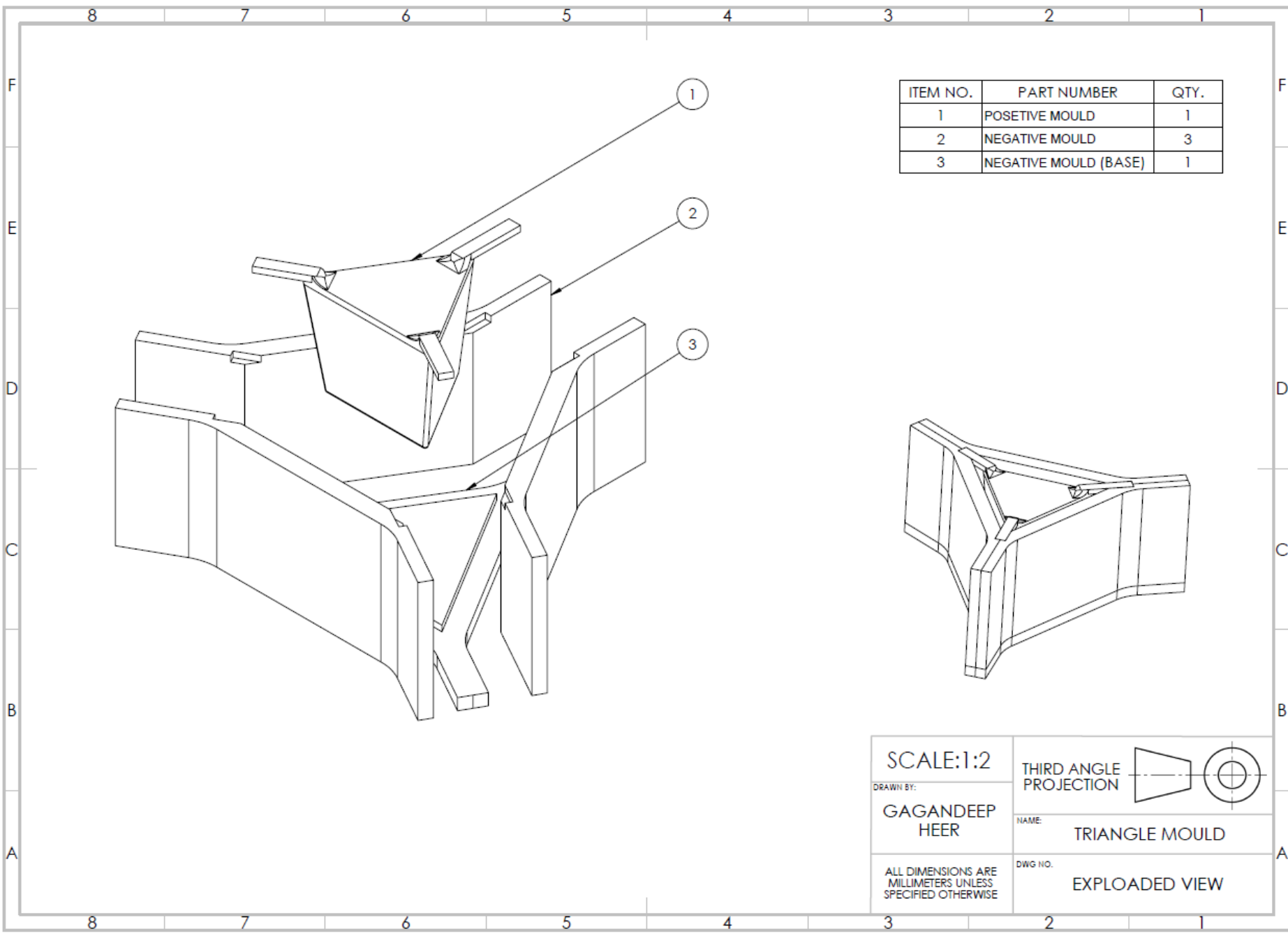


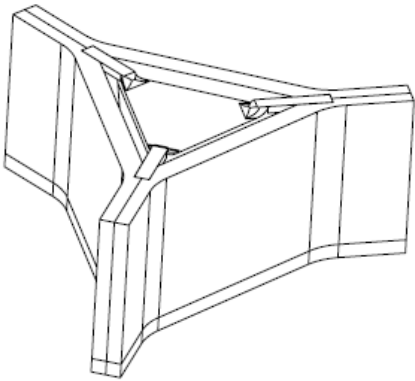
Mould technical drawings

This pack contains technical drawings of the moulds used to create these vessels and coasters:





ITEM NO.	PART NUMBER	QTY.
1	POSETIVE MOULD	1
2	NEGATIVE MOULD	3
3	NEGATIVE MOULD (BASE)	1



SCALE:1:2		THIRD ANGLE PROJECTION
DRAWN BY: GAGANDEEP HEER		
ALL DIMENSIONS ARE MILLIMETERS UNLESS SPECIFIED OTHERWISE		DWG NO. EXPLOADED VIEW

8 7 6 5 4 3 2 1

F

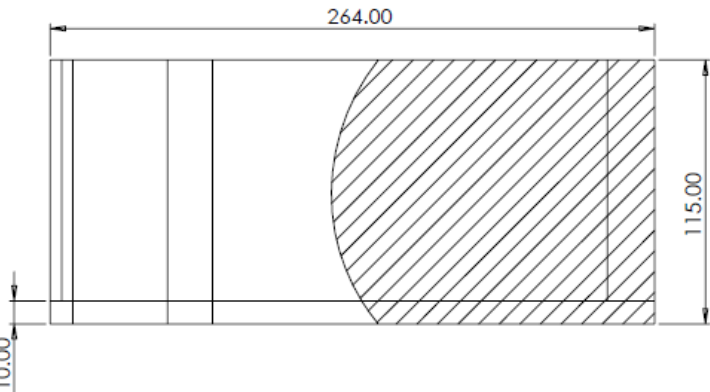
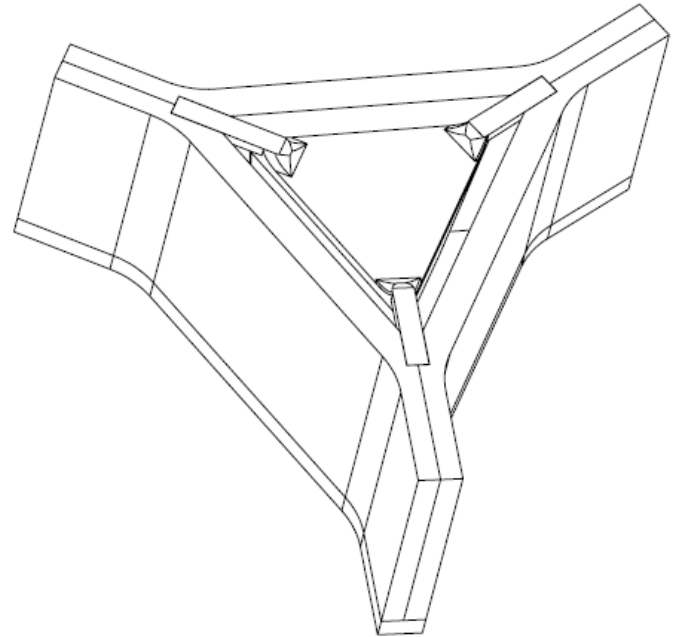
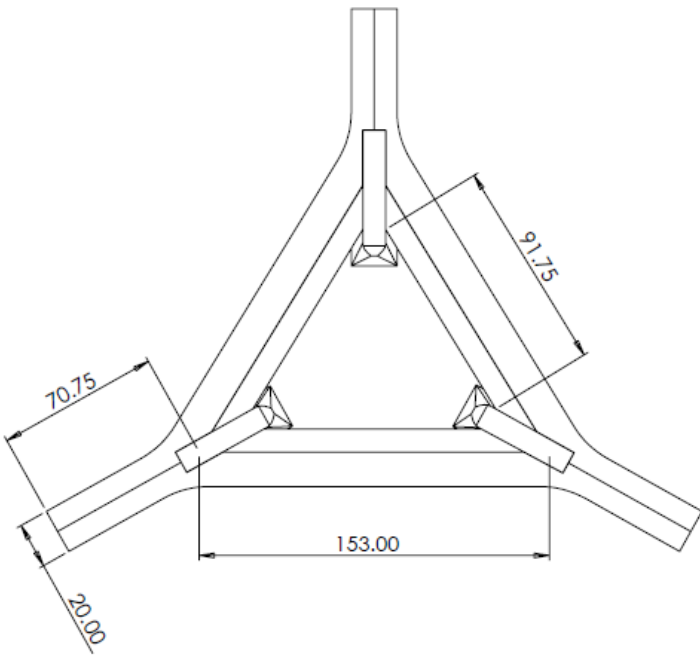
E

D

C

B

A



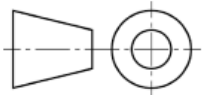
SCALE:1:2

DRAWN BY:

GAGANDEEP
HEER

ALL DIMENSIONS ARE
MILLIMETERS UNLESS
SPECIFIED OTHERWISE

THIRD ANGLE
PROJECTION



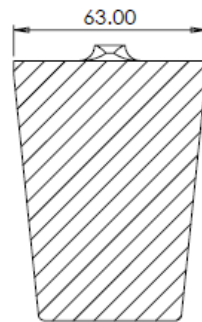
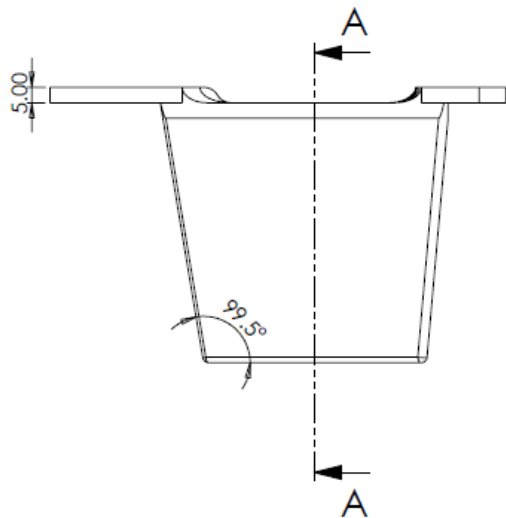
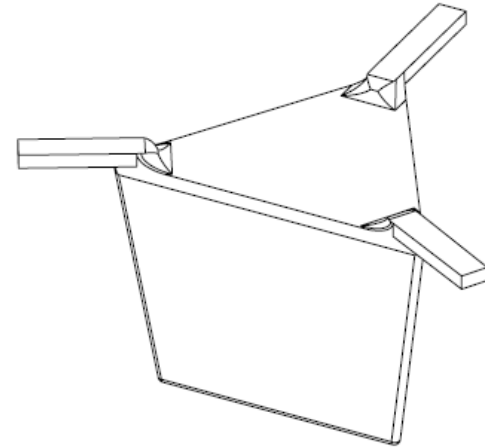
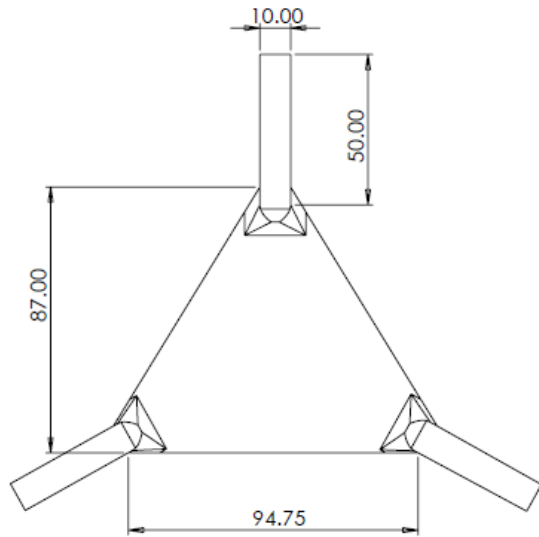
NAME:

TRIANGLE MOULD

DWG NO.

TRIANGLE MOULD 1

8 7 6 5 4 3 2 1



SECTION A-A
SCALE 1 : 1.5

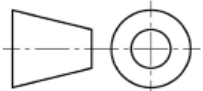
SCALE:1:1.5

DRAWN BY:

GAGANDEEP
HEER

ALL DIMENSIONS ARE
MILLIMETERS UNLESS
SPECIFIED OTHERWISE

THIRD ANGLE
PROJECTION

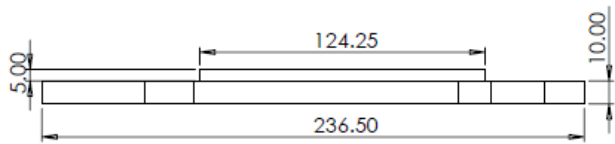
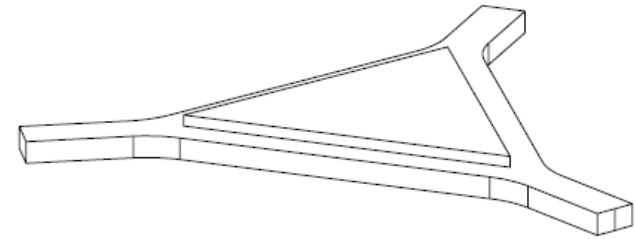
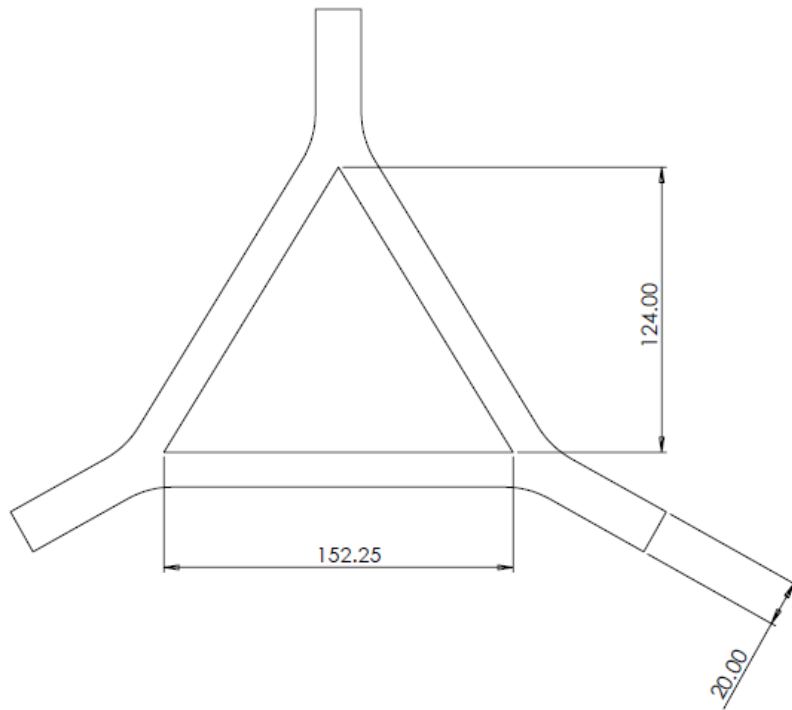


NAME:

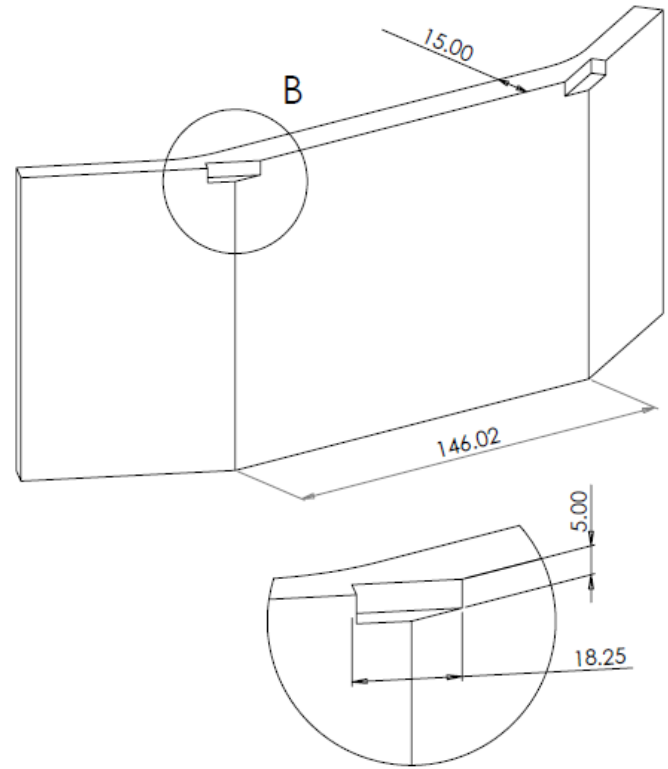
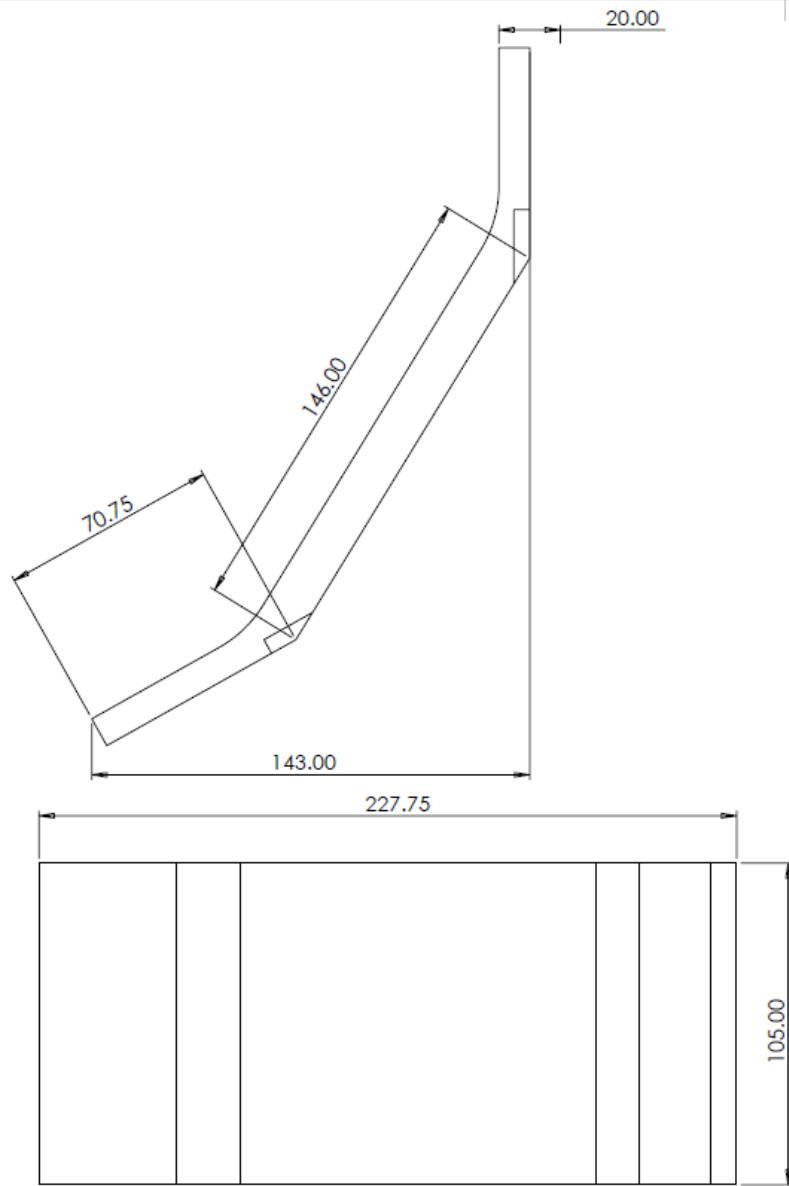
TRIANGLE MOULD

DWG NO.

TRIANGLE MOULD 2



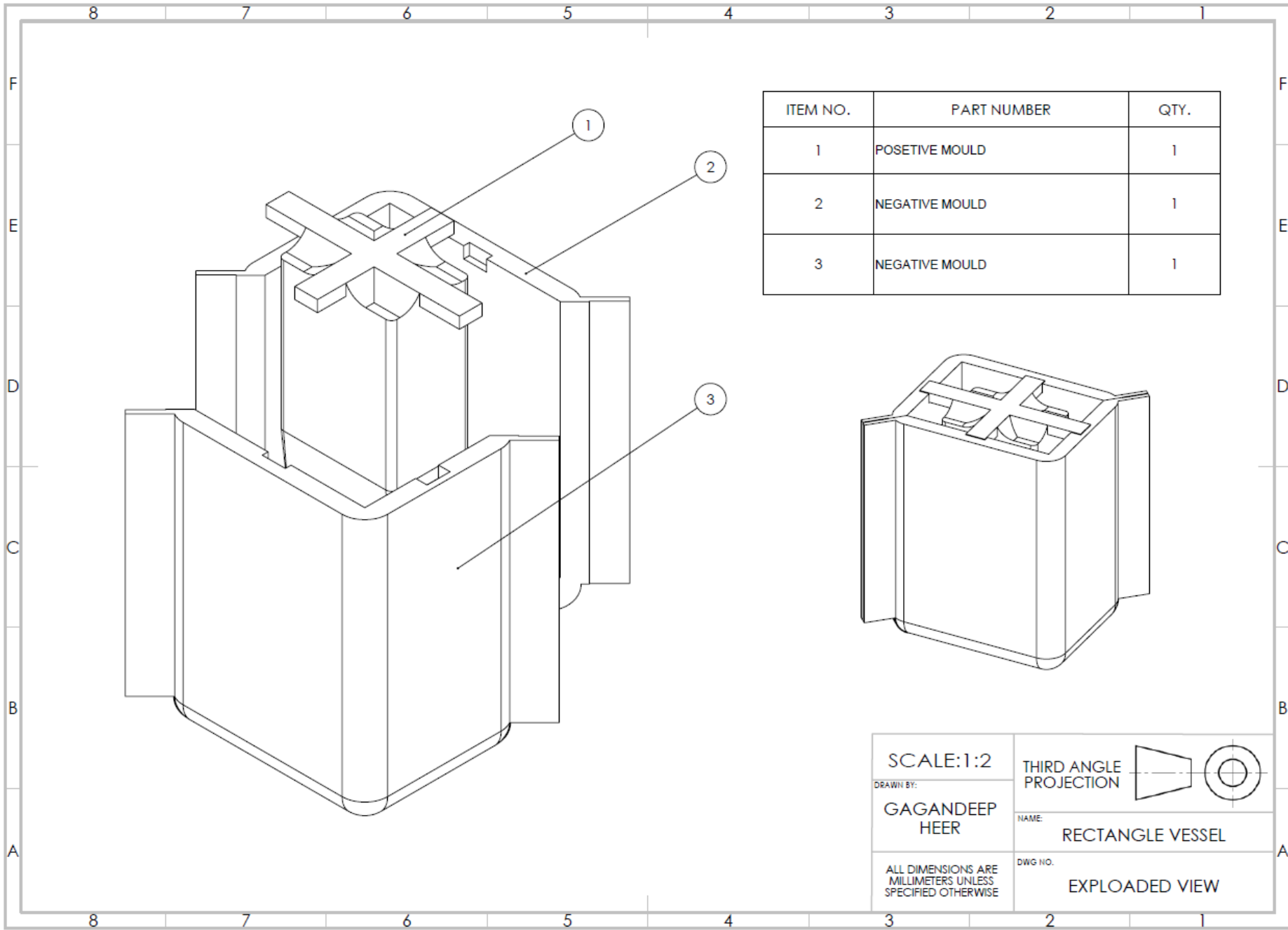
SCALE:1:2		THIRD ANGLE PROJECTION	
DRAWN BY: GAGANDEEP HEER			
ALL DIMENSIONS ARE MILLIMETERS UNLESS SPECIFIED OTHERWISE		DWG NO.:	TRIANGLE MOULD 3



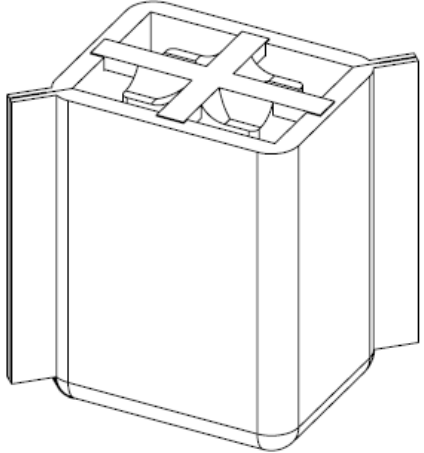
DETAIL B
SCALE 2 : 1.5

SCALE:1:2		THIRD ANGLE PROJECTION	
DRAWN BY: GAGANDEEP HEER			
ALL DIMENSIONS ARE MILLIMETERS UNLESS SPECIFIED OTHERWISE		DWG NO. TRIANGLE MOULD 4	

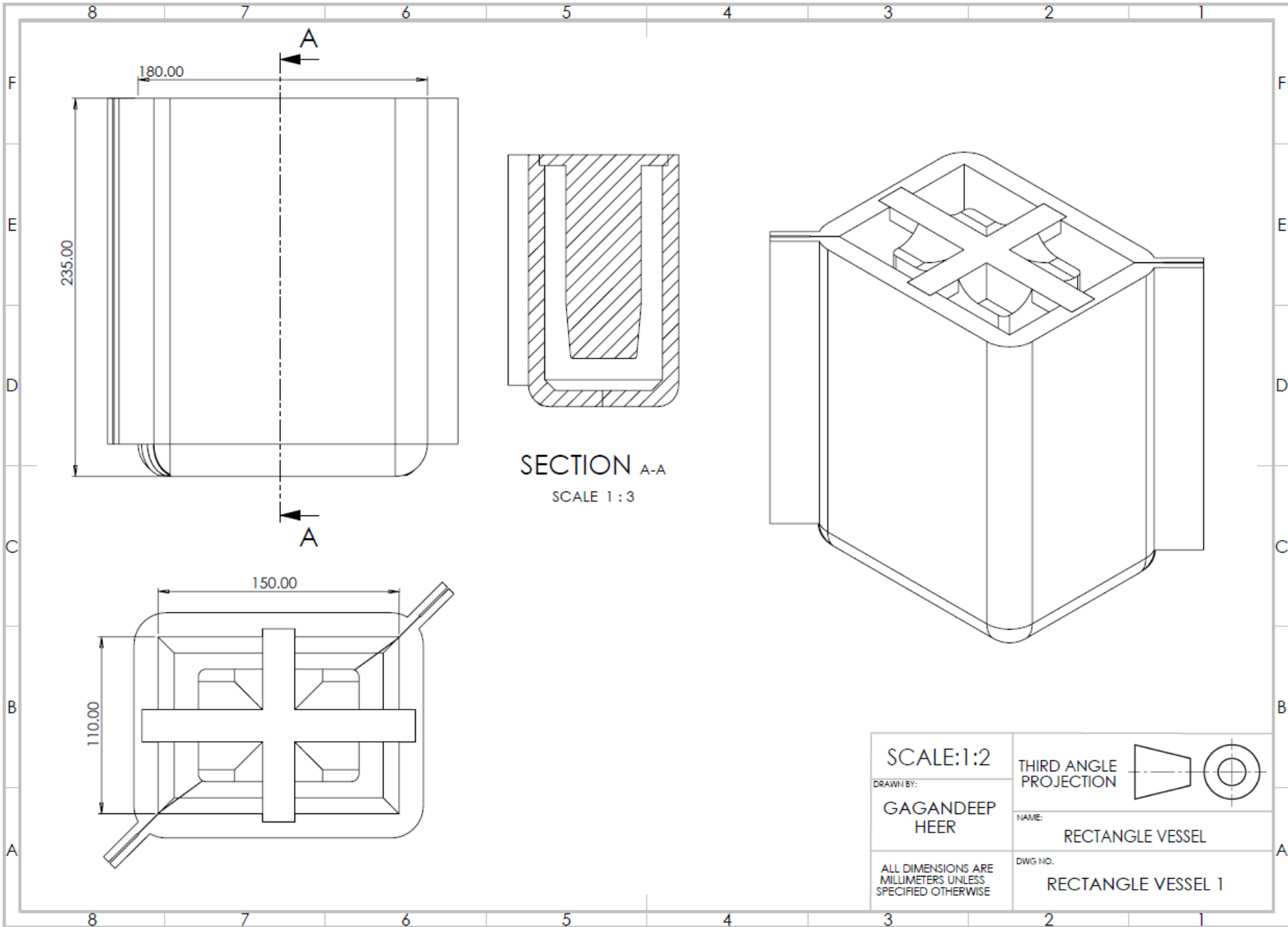




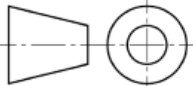
ITEM NO.	PART NUMBER	QTY.
1	POSETIVE MOULD	1
2	NEGATIVE MOULD	1
3	NEGATIVE MOULD	1

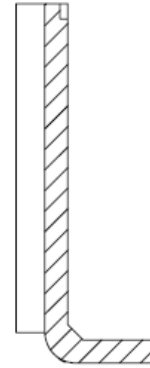
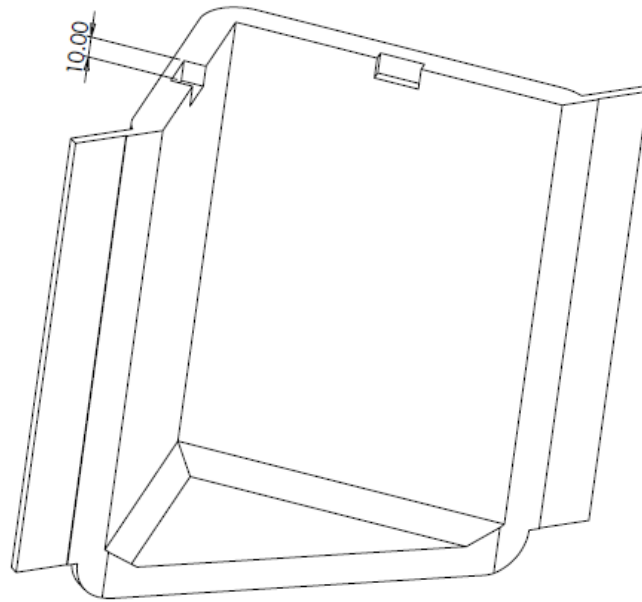


SCALE:1:2	THIRD ANGLE PROJECTION	
DRAWN BY: GAGANDEEP HEER	NAME: RECTANGLE VESSEL	
ALL DIMENSIONS ARE MILLIMETERS UNLESS SPECIFIED OTHERWISE	DWG NO. EXPLOADED VIEW	

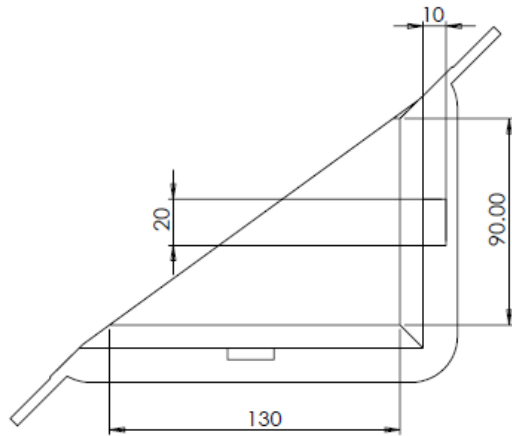
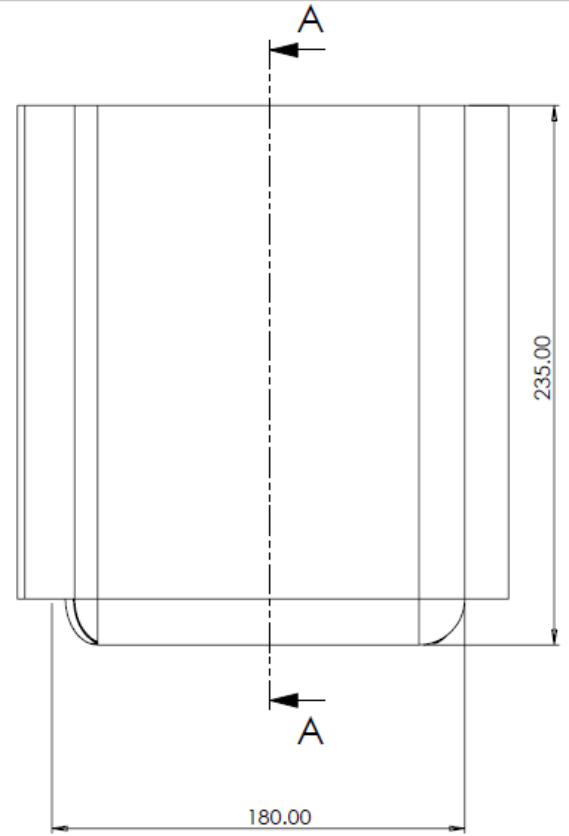


SECTION A-A
SCALE 1 : 3

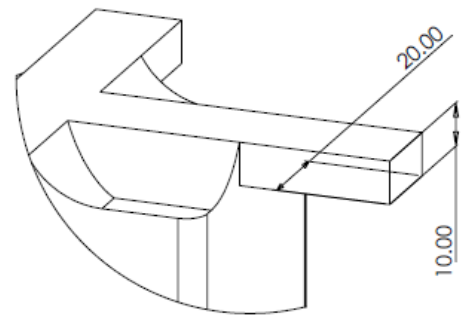
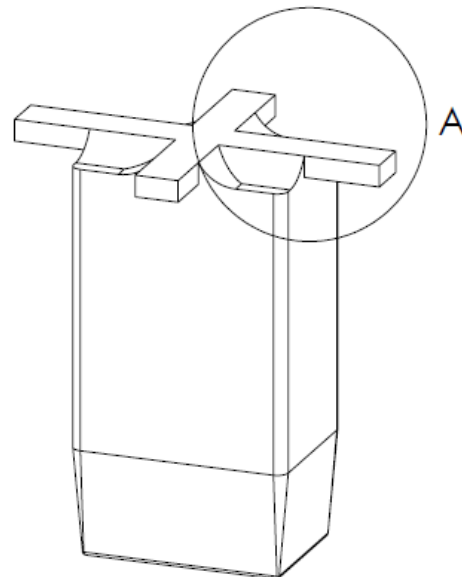
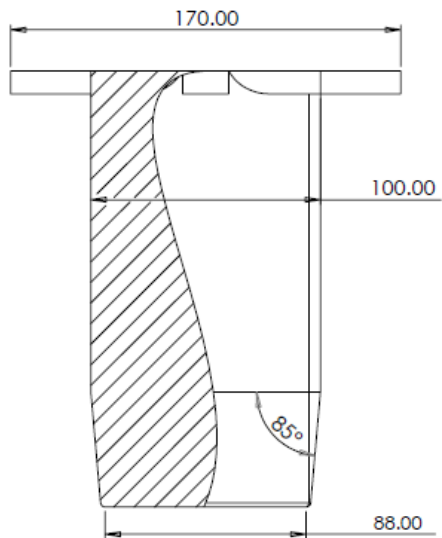
<p>SCALE:1:2</p>	<p>THIRD ANGLE PROJECTION</p> 
<p>DRAWN BY: GAGANDEEP HEER</p>	<p>NAME: RECTANGLE VESSEL</p>
<p>ALL DIMENSIONS ARE MILLIMETERS UNLESS SPECIFIED OTHERWISE</p>	<p>DWG NO. RECTANGLE VESSEL 1</p>



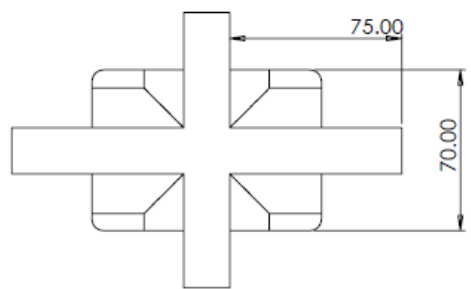
SECTION A-A
SCALE 1 : 3



SCALE:1:2		THIRD ANGLE PROJECTION	
DRAWN BY: GAGANDEEP HEER		NAME: RECTANGLE VESSEL	
ALL DIMENSIONS ARE MILLIMETERS UNLESS SPECIFIED OTHERWISE		DWG NO. RECTANGLE VESSEL 2	

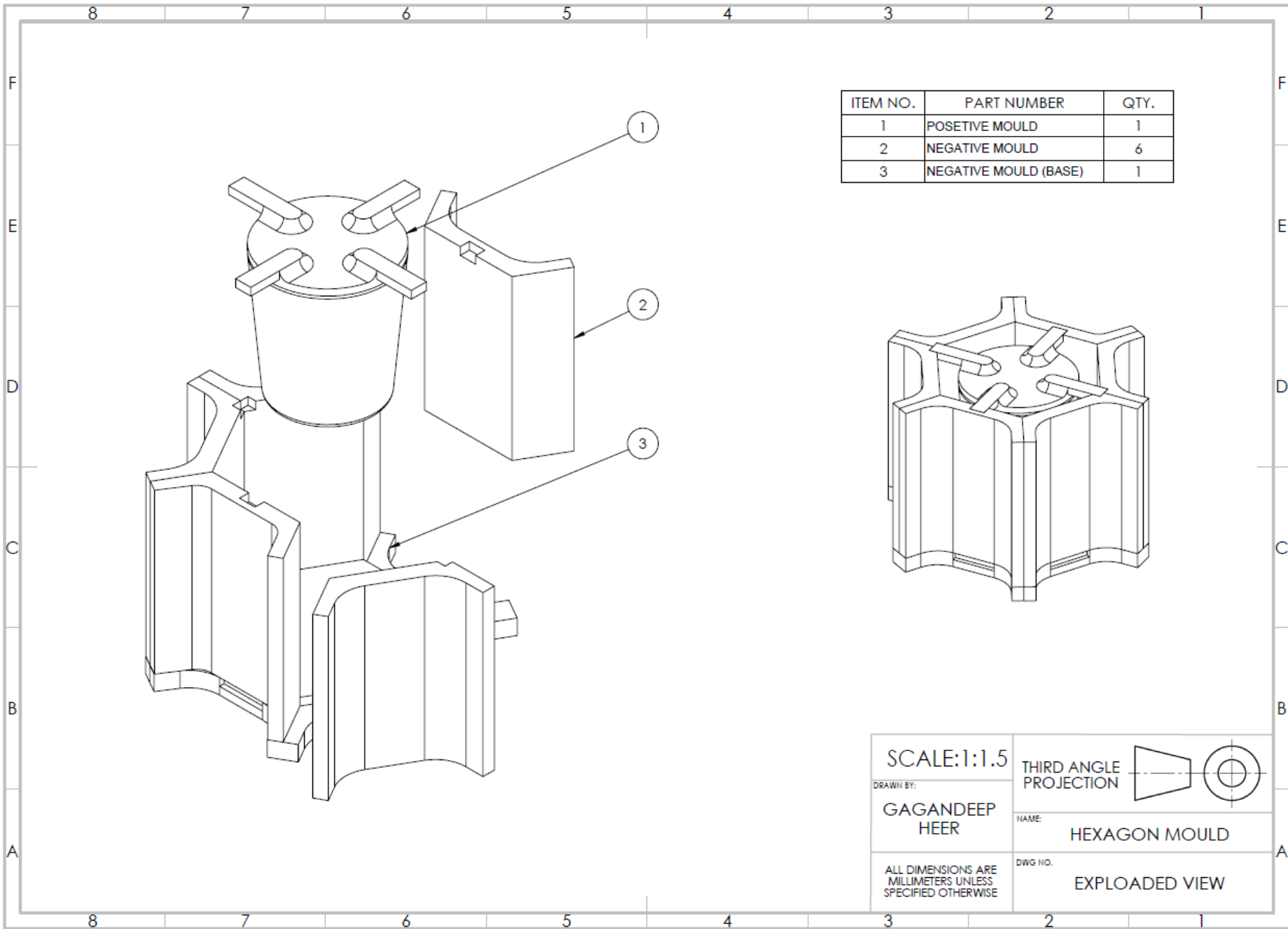


DETAIL A
SCALE 1:1

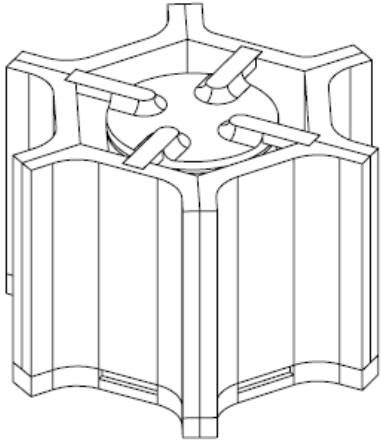


SCALE:1:2		THIRD ANGLE PROJECTION	
DRAWN BY: GAGANDEEP HEER		NAME: RECTANGLE VESSEL	
ALL DIMENSIONS ARE MILLIMETERS UNLESS SPECIFIED OTHERWISE		DWG NO. RECTANGLE VESSEL 3	

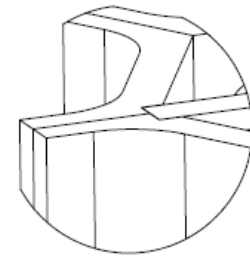
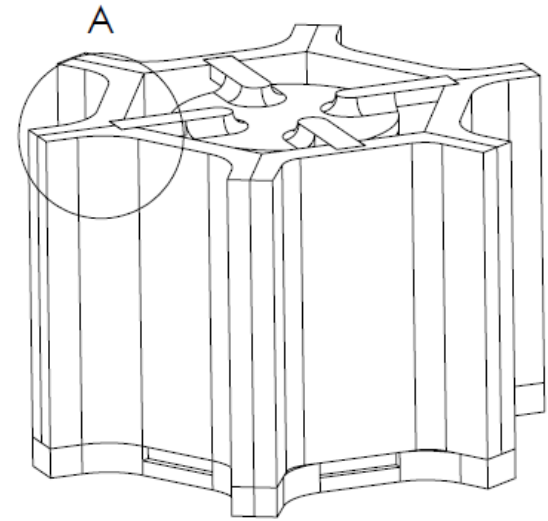
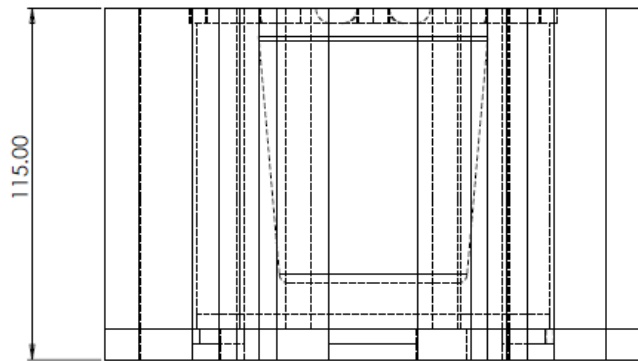
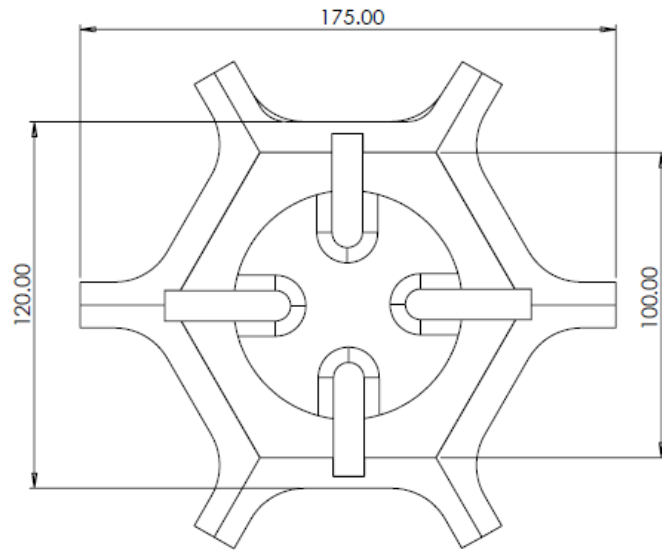




ITEM NO.	PART NUMBER	QTY.
1	POSITIVE MOULD	1
2	NEGATIVE MOULD	6
3	NEGATIVE MOULD (BASE)	1



SCALE:1:1.5		THIRD ANGLE PROJECTION
DRAWN BY: GAGANDEEP HEER		
ALL DIMENSIONS ARE MILLIMETERS UNLESS SPECIFIED OTHERWISE		DWG NO. EXPLODED VIEW



DETAIL A
SCALE 1 : 1

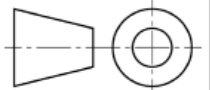
SCALE:1:1.5

DRAWN BY:

GAGANDEEP
HEER

ALL DIMENSIONS ARE
MILLIMETERS UNLESS
SPECIFIED OTHERWISE

THIRD ANGLE
PROJECTION

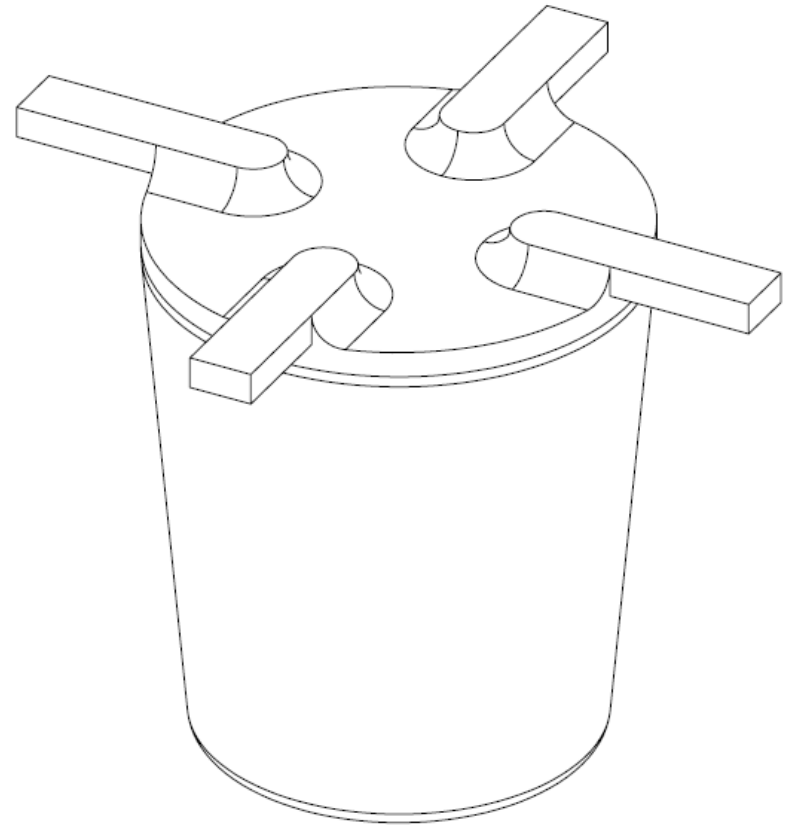
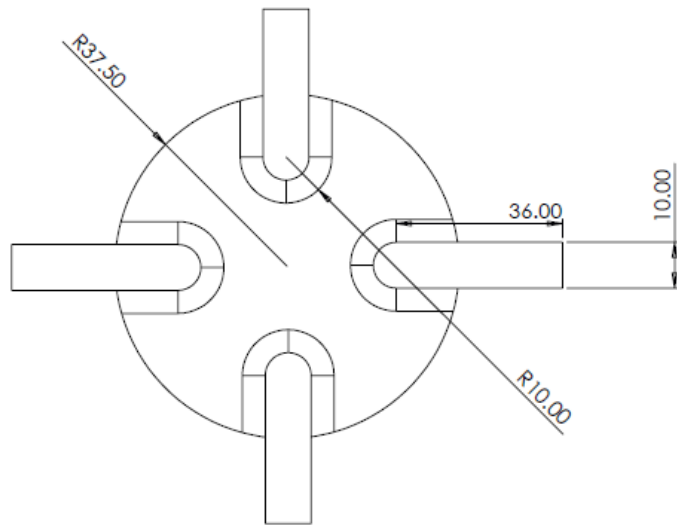
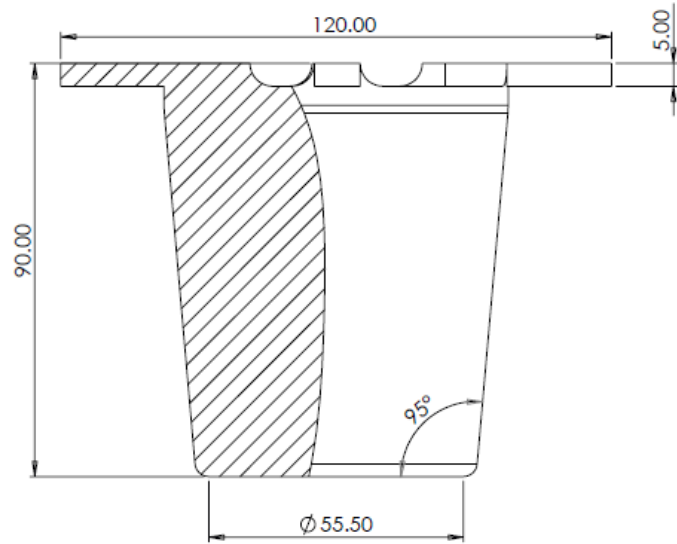


NAME:

HEXAGON MOULD

DWG NO.

HEXAGON MOULD 1



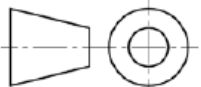
SCALE:1:1

DRAWN BY:

GAGANDEEP
HEER

ALL DIMENSIONS ARE
MILLIMETERS UNLESS
SPECIFIED OTHERWISE

THIRD ANGLE
PROJECTION

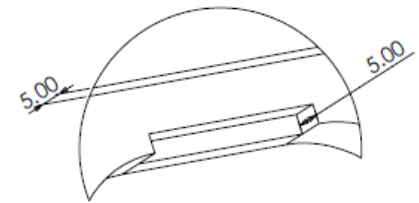
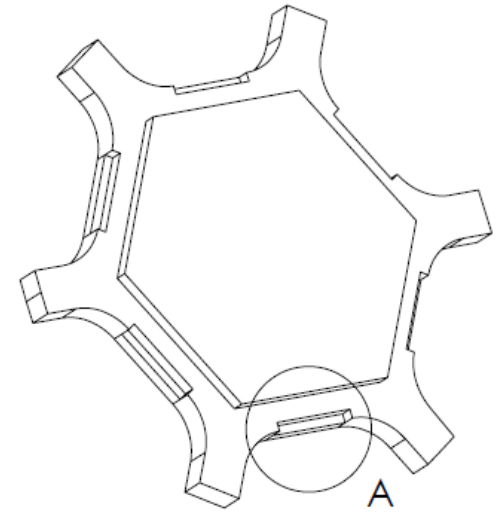
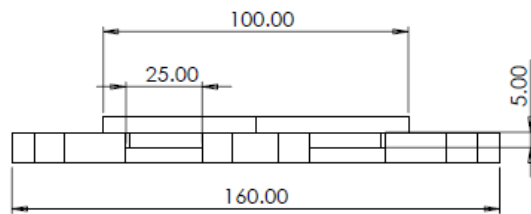
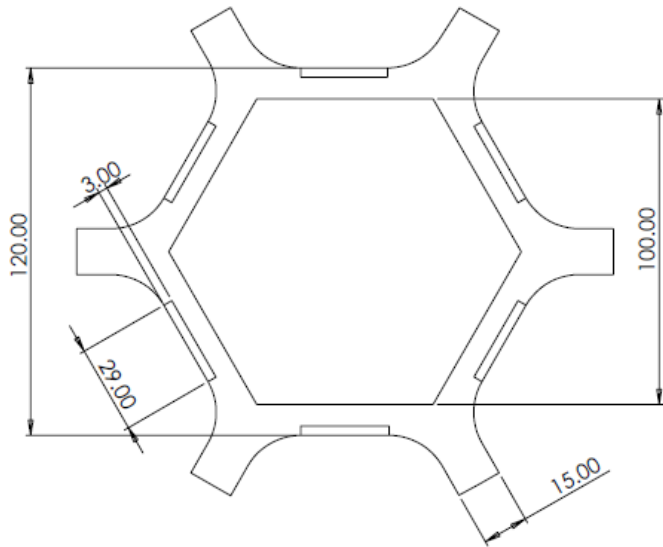


NAME:

HEXAGON MOULD

DWG NO.

HEXAGON MOULD 2



DETAIL A
SCALE 1.5 : 1

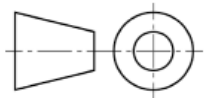
SCALE: 1:1.5

DRAWN BY:

GAGANDEEP
HEER

ALL DIMENSIONS ARE
MILLIMETERS UNLESS
SPECIFIED OTHERWISE

THIRD ANGLE
PROJECTION

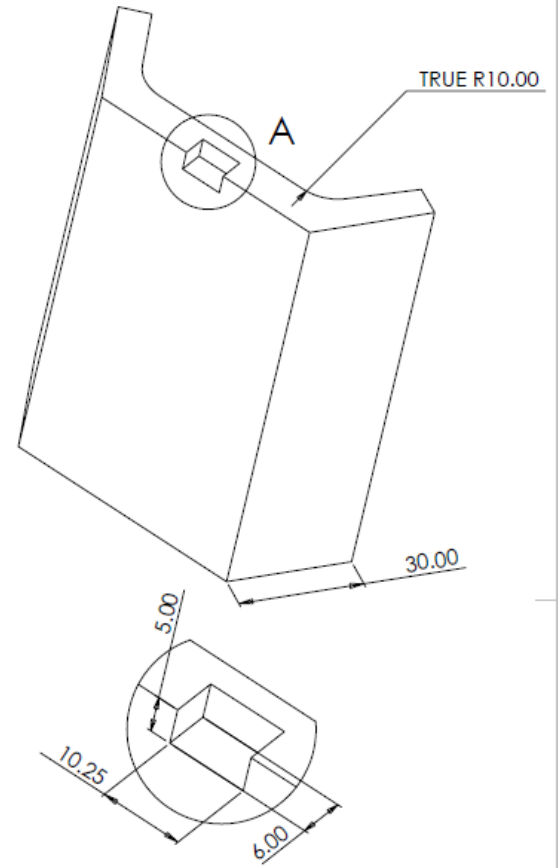
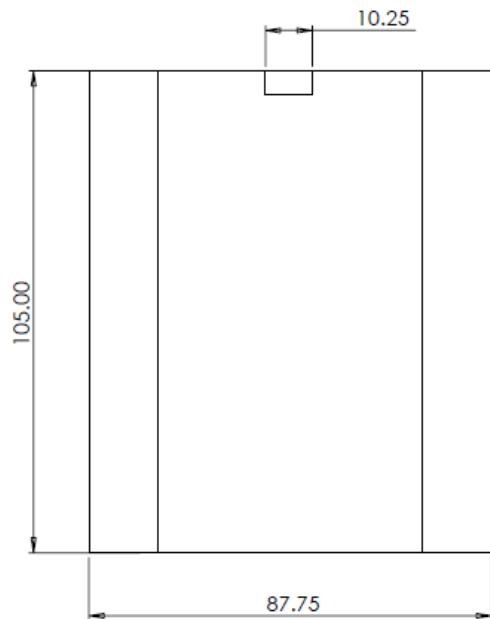
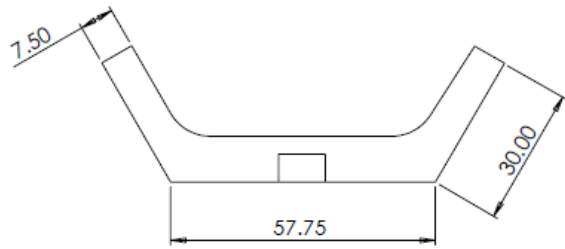


NAME:

HEXAGON MOULD

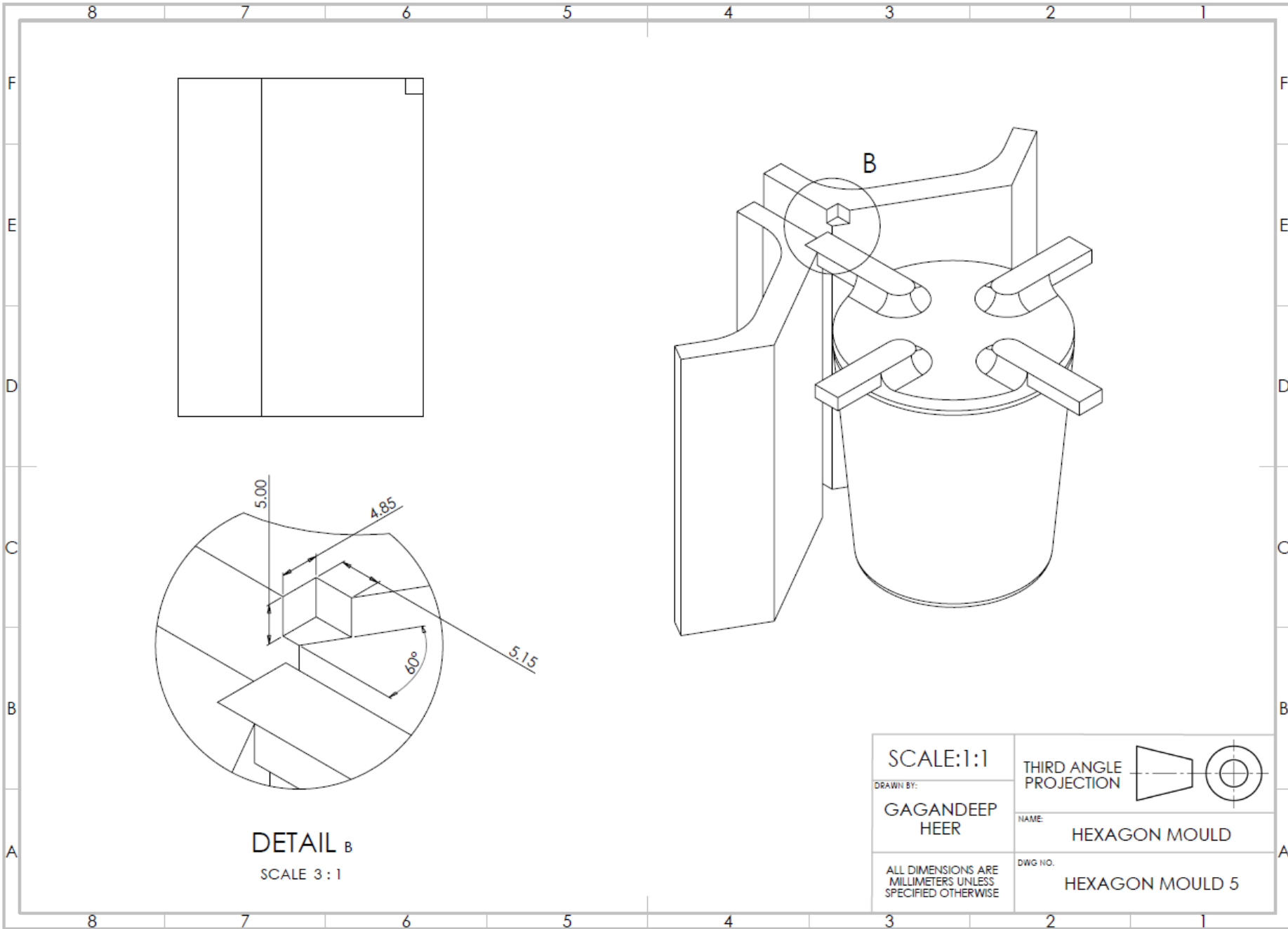
DWG NO.:

HEXAGON MOULD 3



DETAIL A
SCALE 2 : 1

SCALE:1:1	THIRD ANGLE PROJECTION	
DRAWN BY: GAGANDEEP HEER	NAME: HEXAGON MOULD	
ALL DIMENSIONS ARE MILLIMETERS UNLESS SPECIFIED OTHERWISE	DWG NO. HEXAGON MOULD 4	



DETAIL B
SCALE 3 : 1

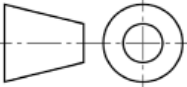
SCALE:1:1

DRAWN BY:

**GAGANDEEP
HEER**

ALL DIMENSIONS ARE
MILLIMETERS UNLESS
SPECIFIED OTHERWISE

**THIRD ANGLE
PROJECTION**



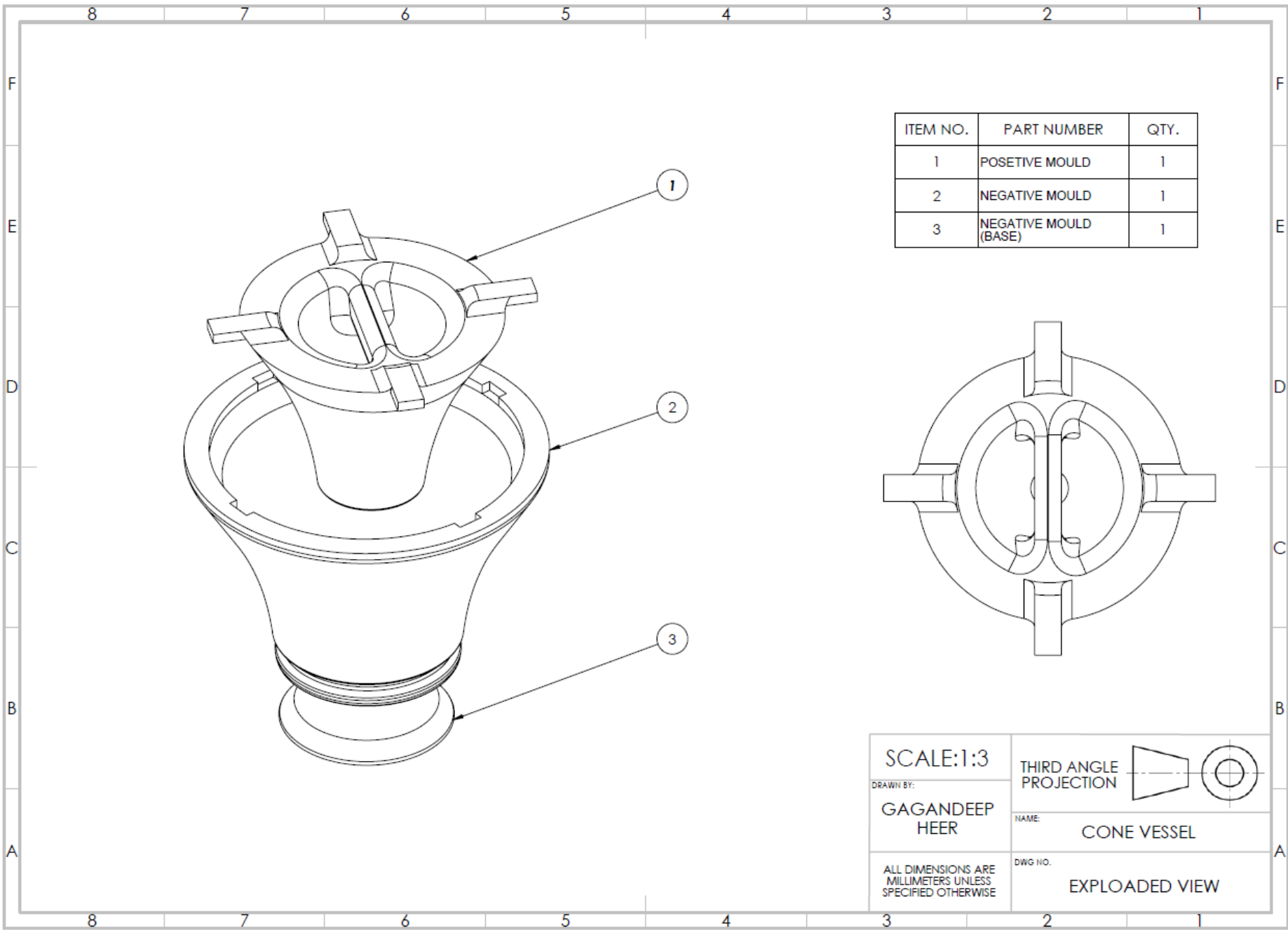
NAME:

HEXAGON MOULD

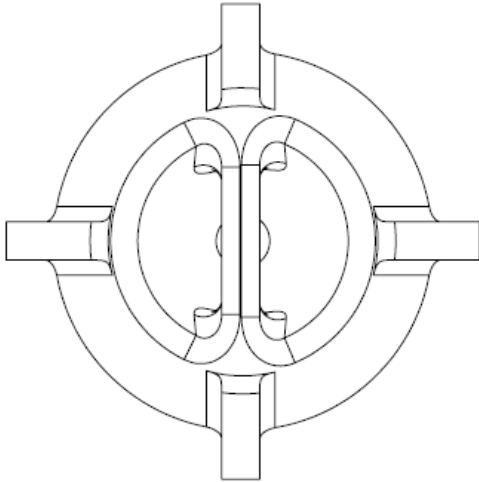
DWG NO.

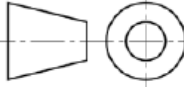
HEXAGON MOULD 5

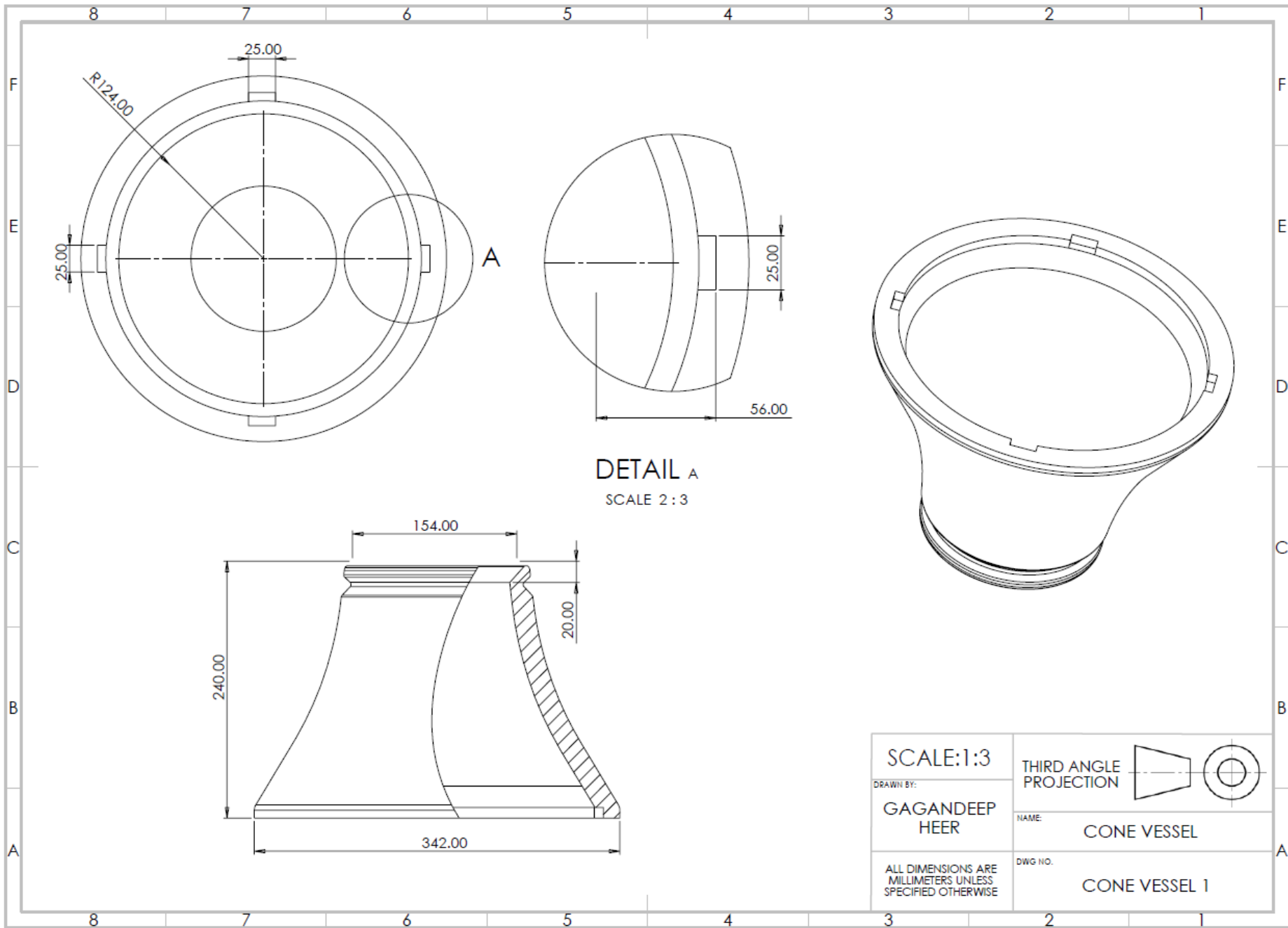


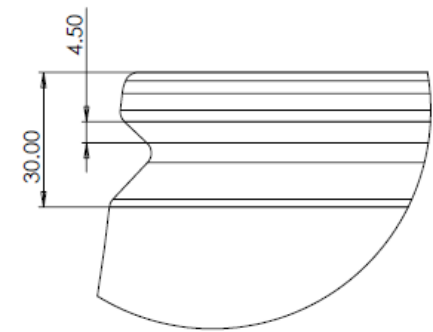
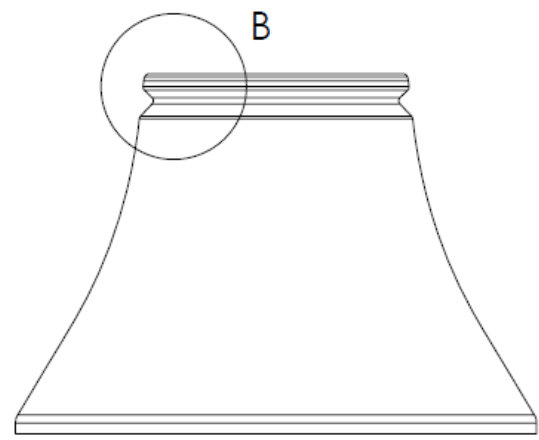
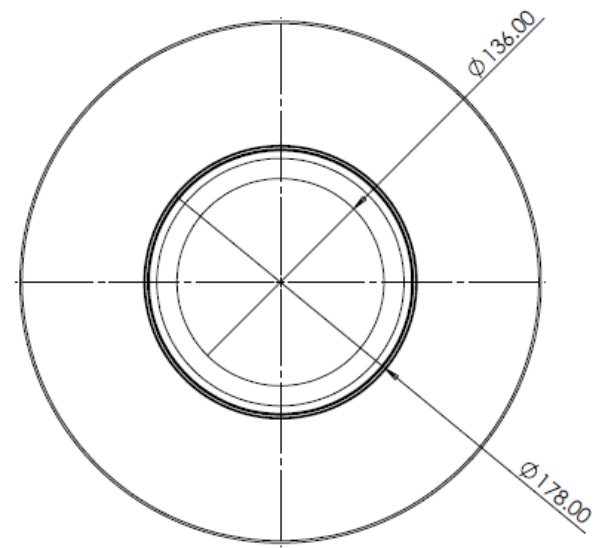
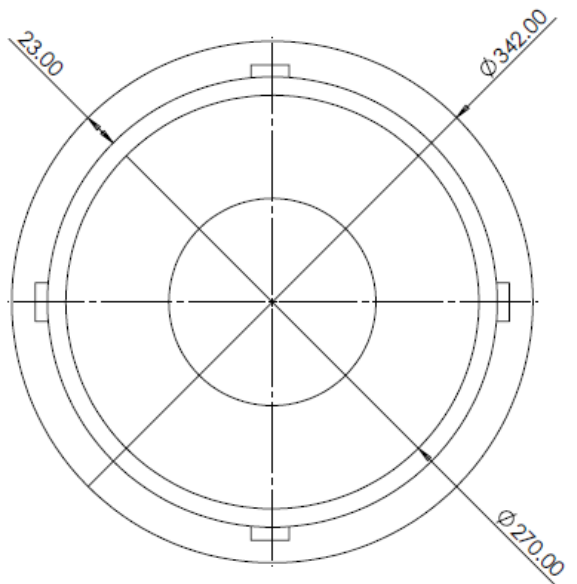


ITEM NO.	PART NUMBER	QTY.
1	POSITIVE MOULD	1
2	NEGATIVE MOULD	1
3	NEGATIVE MOULD (BASE)	1

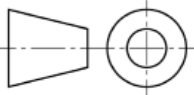


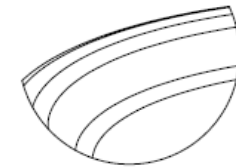
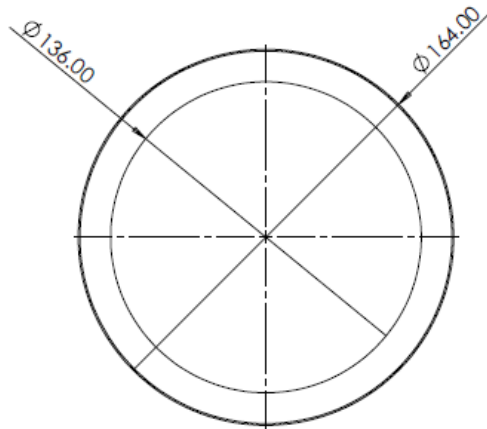
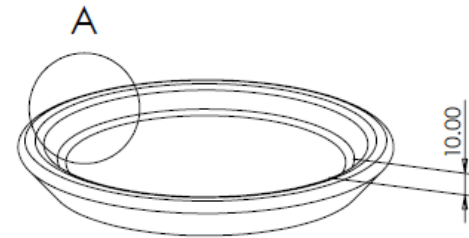
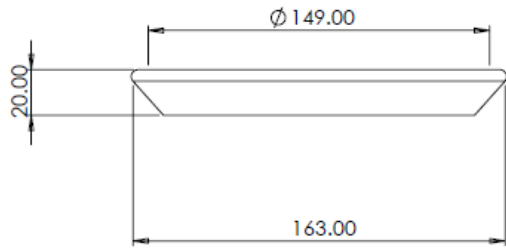
SCALE:1:3	THIRD ANGLE PROJECTION	
DRAWN BY: GAGANDEEP HEER	NAME: CONE VESSEL	
ALL DIMENSIONS ARE MILLIMETERS UNLESS SPECIFIED OTHERWISE	DWG NO. EXPLOADED VIEW	





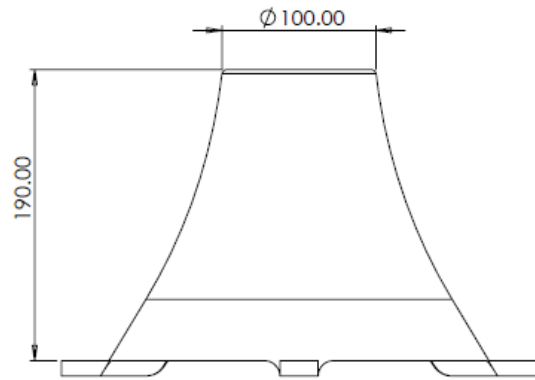
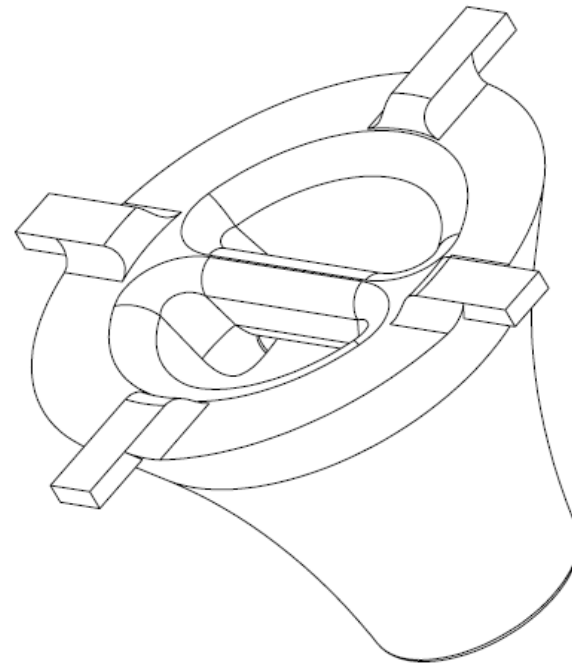
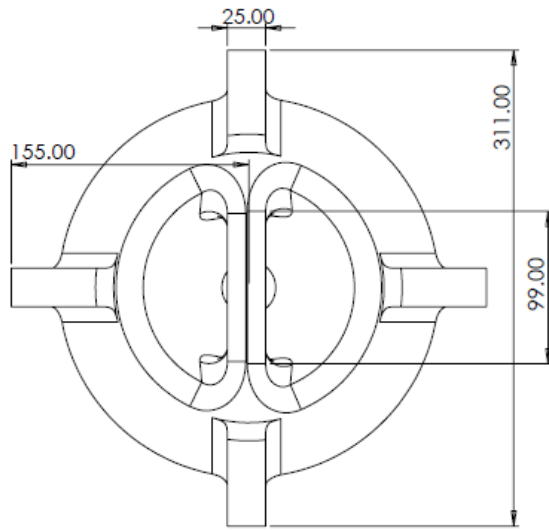
DETAIL B
SCALE 1 : 1

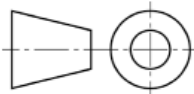
<p>SCALE:1:3</p> <p>DRAWN BY:</p> <p>GAGANDEEP HEER</p>	<p>THIRD ANGLE PROJECTION</p> 
	<p>NAME:</p> <p>CONE VESSEL</p>
<p>ALL DIMENSIONS ARE MILLIMETERS UNLESS SPECIFIED OTHERWISE</p>	<p>DWG NO.</p> <p>CONE VESSEL 2</p>



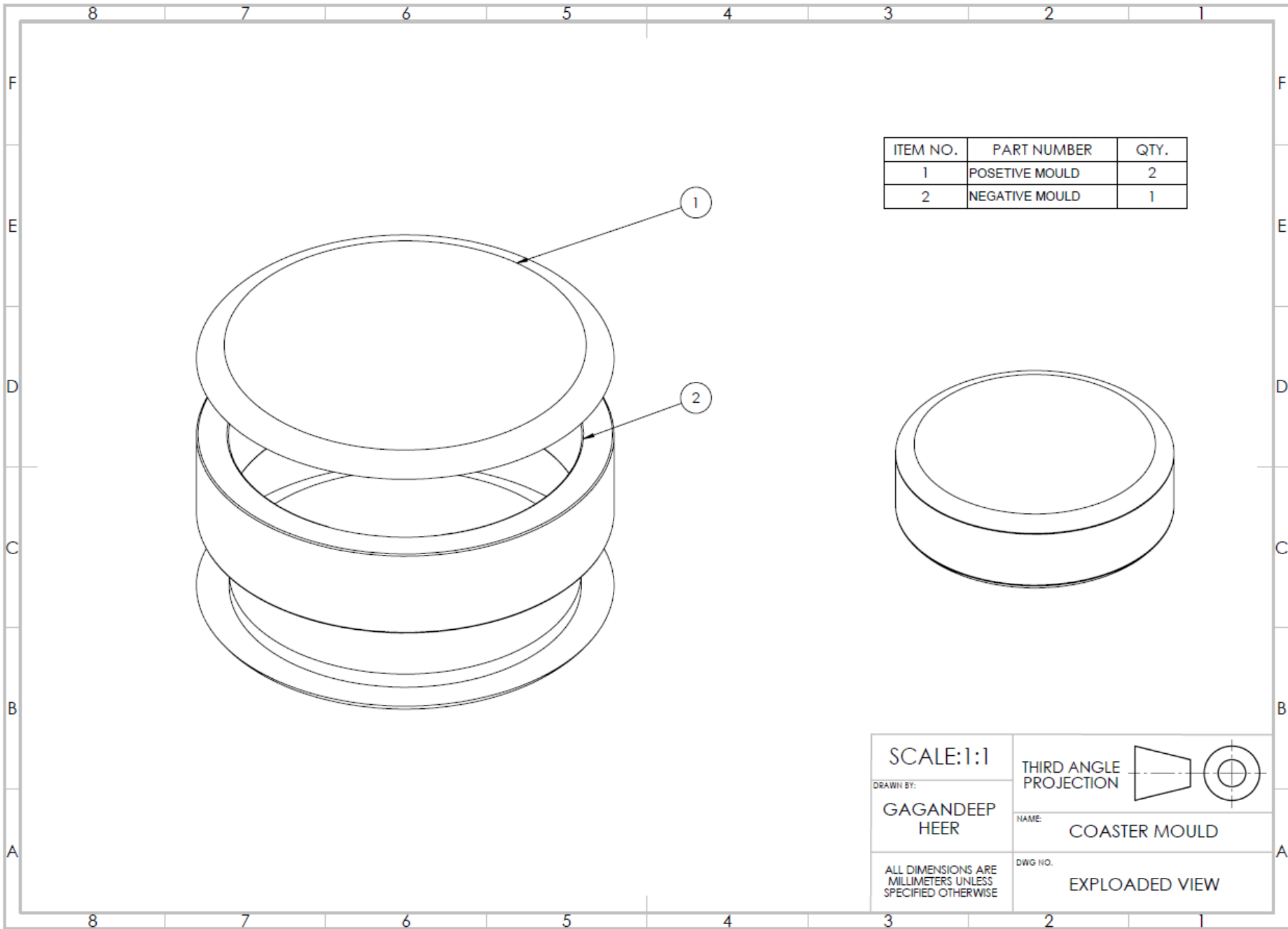
DETAIL A
SCALE 1:1

SCALE:1:2	THIRD ANGLE PROJECTION	
DRAWN BY: GAGANDEEP HEER	NAME: CONE VESSEL	
ALL DIMENSIONS ARE MILLIMETERS UNLESS SPECIFIED OTHERWISE	DWG NO. CONE VESSEL 3	

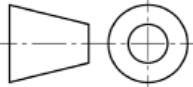


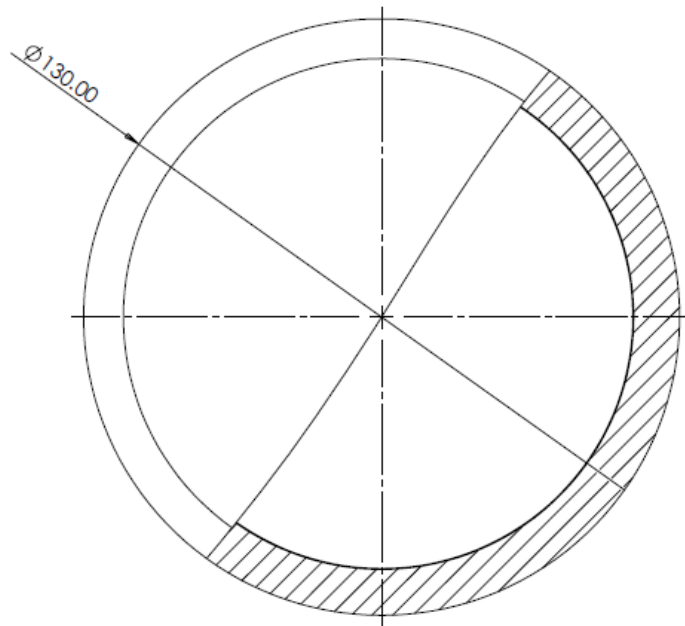
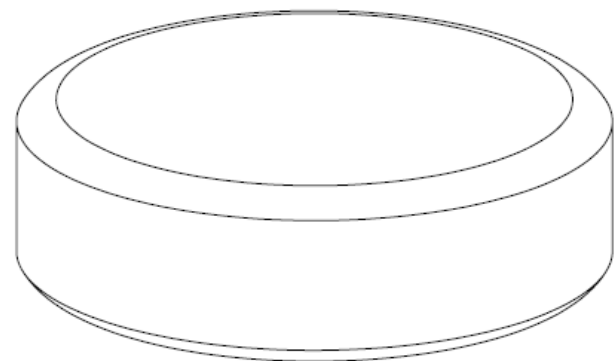
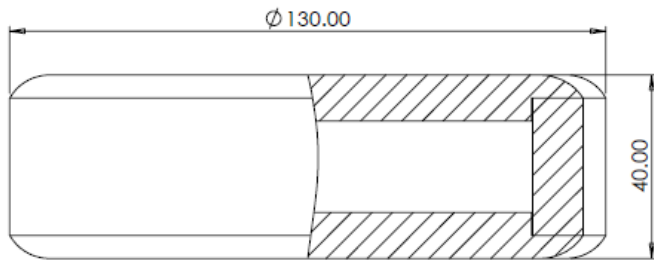
SCALE:1:3		THIRD ANGLE PROJECTION	
DRAWN BY: GAGANDEEP HEER			
ALL DIMENSIONS ARE MILLIMETERS UNLESS SPECIFIED OTHERWISE		DWG NO. CONE VESSEL 4	



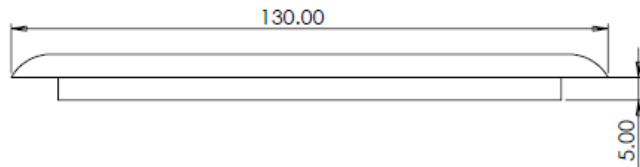
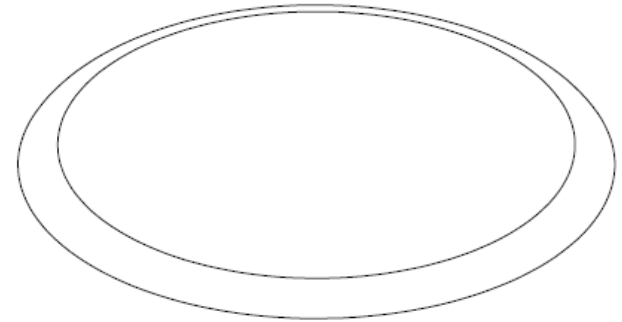
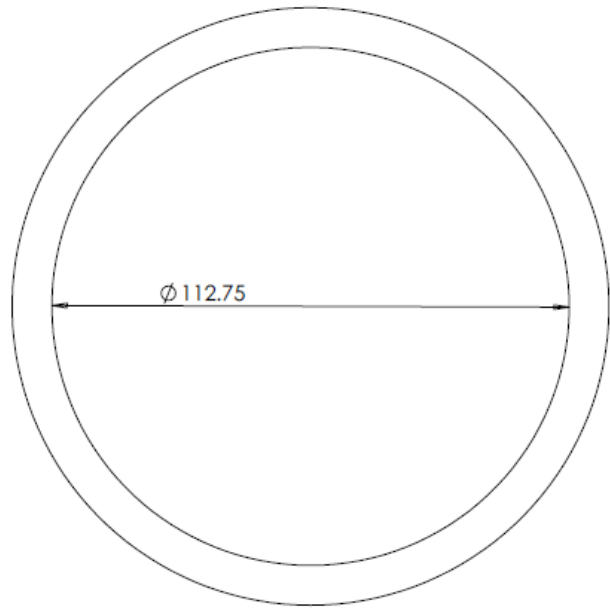


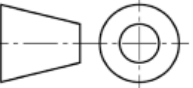
ITEM NO.	PART NUMBER	QTY.
1	POSETIVE MOULD	2
2	NEGATIVE MOULD	1

SCALE:1:1		THIRD ANGLE PROJECTION 
DRAWN BY: GAGANDEEP HEER		
ALL DIMENSIONS ARE MILLIMETERS UNLESS SPECIFIED OTHERWISE		DWG NO. EXPLOADED VIEW



SCALE:1:1		THIRD ANGLE PROJECTION	
DRAWN BY: GAGANDEEP HEER		NAME: COASTER MOULD	
ALL DIMENSIONS ARE MILLIMETERS UNLESS SPECIFIED OTHERWISE		DWG NO. COASTER MOULD 1	



SCALE:1:1		THIRD ANGLE PROJECTION 
<small>DRAWN BY:</small> GAGANDEEP HEER	<small>NAME:</small> COASTER MOULD	
<small>ALL DIMENSIONS ARE MILLIMETERS UNLESS SPECIFIED OTHERWISE</small>		<small>DWG NO.:</small> COASTER MOULD 2

